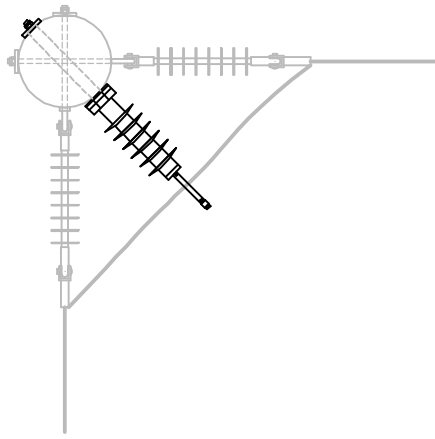
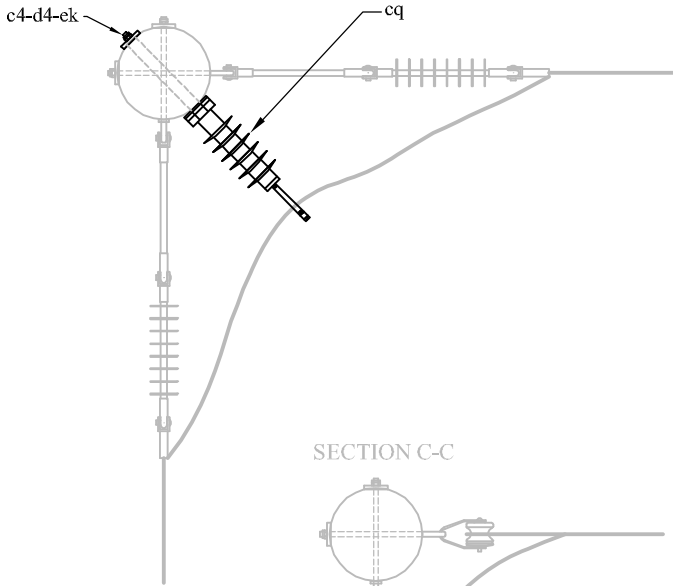


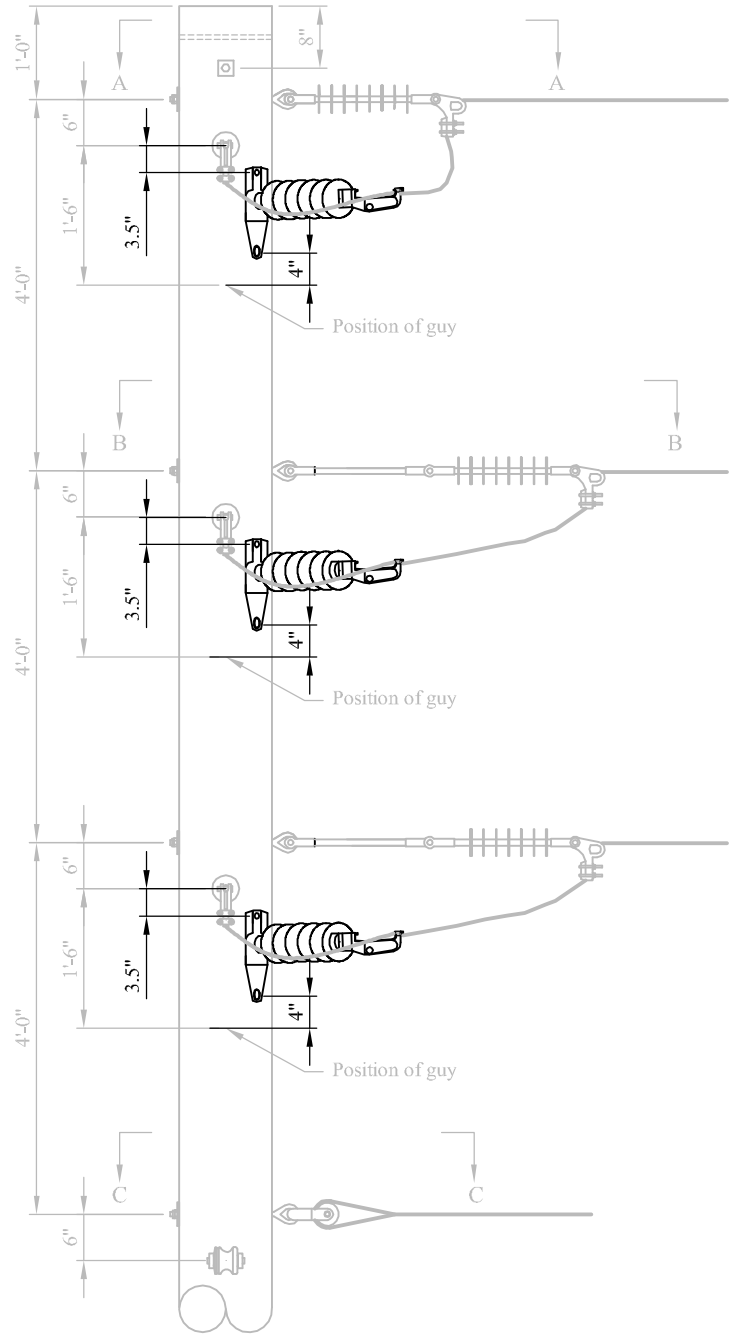
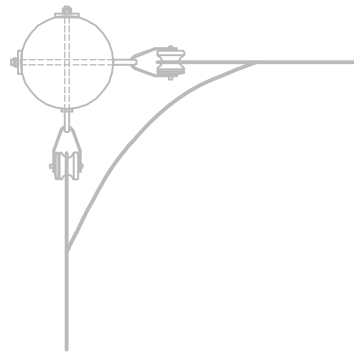
SECTION A-A



SECTION B-B



SECTION C-C



ITEM	MATERIAL	QTY	ITEM	MATERIAL	QTY
d4	washer, curved 3" x 13/16"	6	ek	Locknuts	6
cq	Standoff insulators	3	c4	Machine bolts, 3/4"x14"	3
c4	Machine bolts, 3/4"x12"	3			

NOTES:

- To be used for angles between 20° & 60°

24.9 / 14.4 KV, 3-PHASE  
HORIZONTAL STANDOFF INSULATORS

RUS

03/22/11

Rev. 0



VC1.014